



LED Concepts, USA

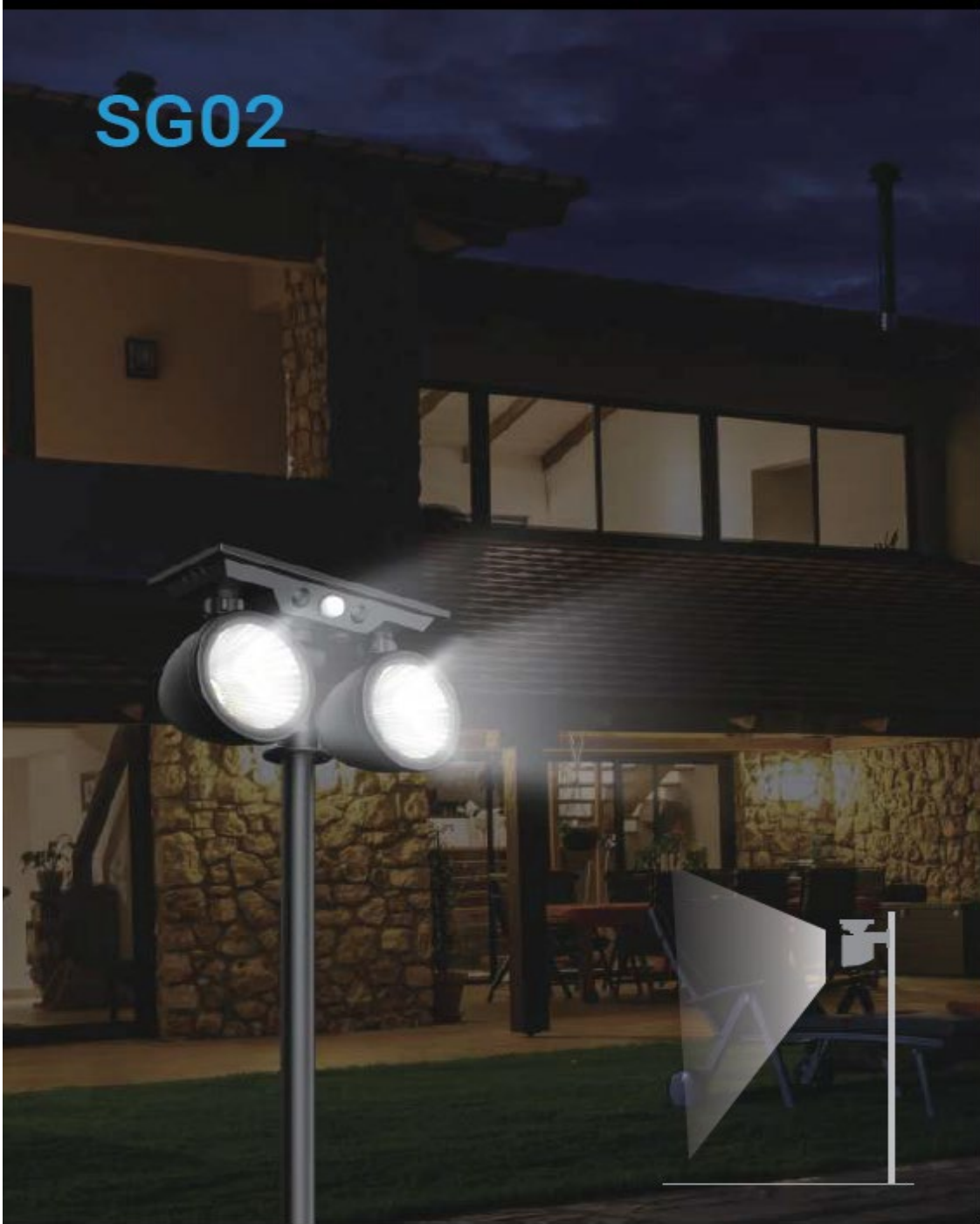
Designing A Brighter Future

530.226.5337

www.ledconceptsusa.com

PERFORMANCE DATA

PACKAGING



SOLAR LED LANDSCAPE LIGHTS

Dress up your landscaping with our LED solar lights.

Multi-mode –

Dusk-2-dawn
Motion sensing
3000k & 5000k
Full or partial
brightness

Can be stake
mounted or wall
mounted.

3 year warranty

LED Concepts USA
2936 Churn Creek
Redding, CA 96002
530.226.5337

Solar Spot light

DESCRIPTION

Both wall mount installation and Ground installation are available for solar spot light, it's up to your needs and the environment. Requiring no wiring, longer lifespan with high-efficacy lithium battery and dual leds makes it perfect. 2 CCT are absolutely ok. Intelligent PIR sensor and dusk-to-dawn function save more energy, and easy installation doesn't need more maintenance cost.

MODEL NUMBER(S)

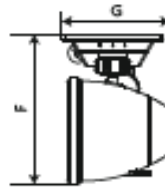
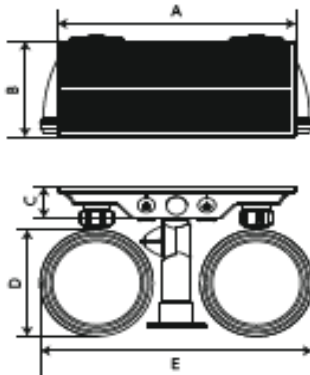
MODEL	BATTERY	LUMENS	SOLAR PANEL	CCT	VOLTAGE	PIR SENSOR
SG02	Lithium	850lm for warm white leds	2W poly silicon panel	2900-3100K for warm white leds	6V	Yes
		900lm for cold white leds		6500-9000K for cold white leds		



MSDS



DIMENSIONS



SG02

A 197.0mm(4.48")

B 84.0mm(6.26")

C 28.0mm(0.43")

D 93.0mm(4.48")

E 225.0mm(9.86")

F 131.0mm(6.93")

G 89.5mm(6.93")

WORKING MODE

Mode 1: Full bright lighting + dim lighting

Mode 2: Full bright lighting + switch off

Mode 3: Continuous lighting

Mode 4: Flash lighting + switch off